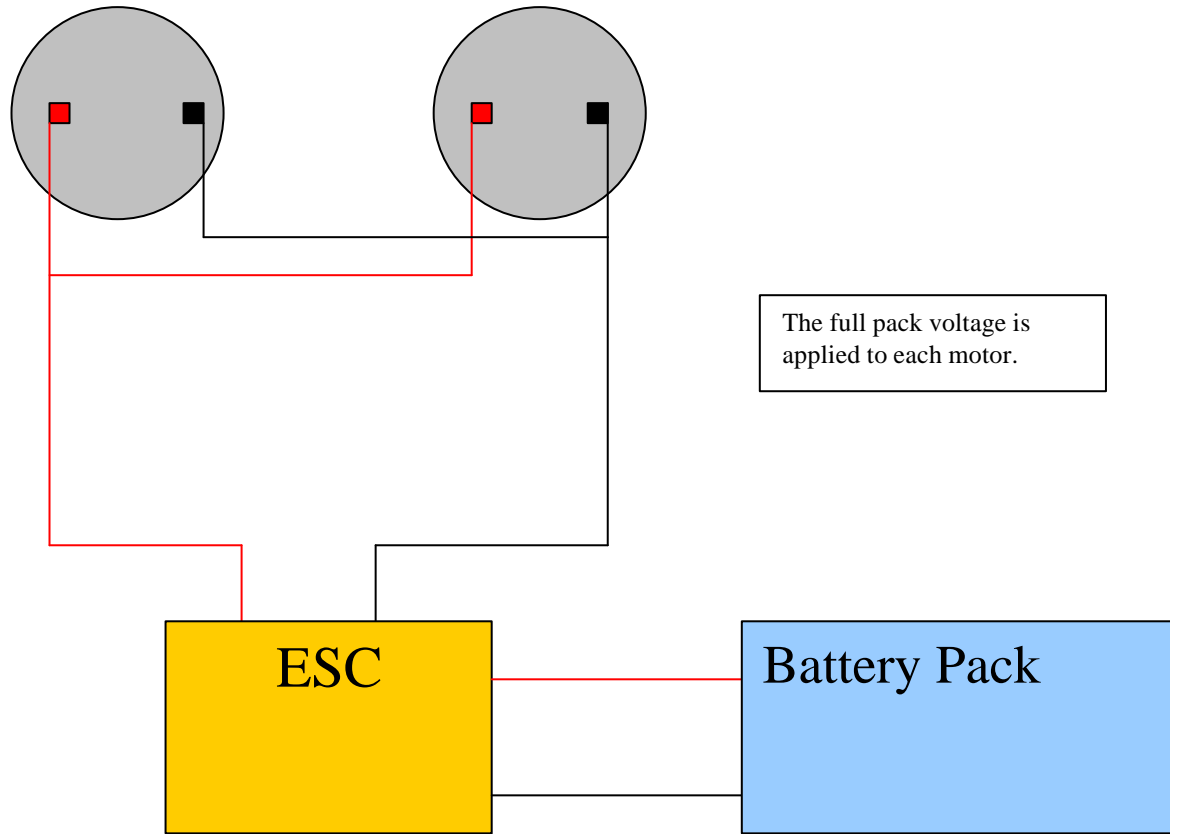


# Motors In Parallel



The full pack voltage is applied to each motor.

## Advantages:

Nearly twice the power of a single motor of the same type.

Two props can run in contra rotation if one motor's timing is adjusted to run in reverse (improves handling).

A larger prop can be used if both motors are linked to a single shaft via a gearbox.

## Disadvantages:

Shorter run times than a single motor of the same type.

Additional weight.

Typically twice the amount of current drawn from the battery pack, resulting in higher cell pack temperatures.

ESC current rating will need to be sufficient to power two motors.

Higher volt drop from the cells and ESC.

Personally I would prefer to use a single motor with a higher power rating.

The information in this document is presented in good faith. The author cannot accept any responsibility for loss, damage or injury resulting from this advice. You should take all reasonable safety precautions before attempting any work.