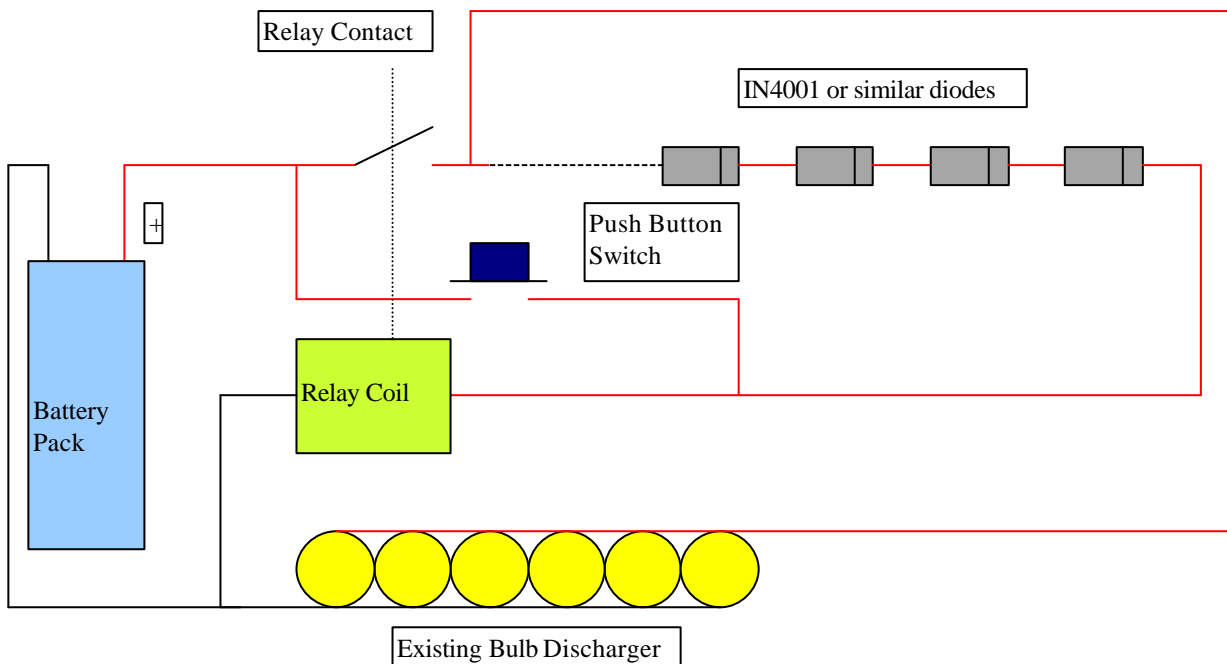


Battery Discharger



Use a normal 12v 40 Amp Relay from a motor accessory shop.

Any rectifier diode can be used in this circuit but 1N4001s are usually the cheapest.

The relay needs a high voltage to switch on but a lower voltage to switch off .

The diodes reduce the supply voltage so that the relay switches off at the correct level.

The switch applies the full battery voltage to make the relay switch on .

The switch off voltage should be around .9v per cell.

You will need to adjust the number of diodes to adjust the switching off point (dont worry they are pretty cheap). This will take some experimentation. I suggest that you buy at least twelve to allow for adjustments.

The diodes can be soldered end to end or mounted on strip-board or tag board.

This circuit should be OK for 8 to 12 cells. For 4 -7 cells use a 6v relay.